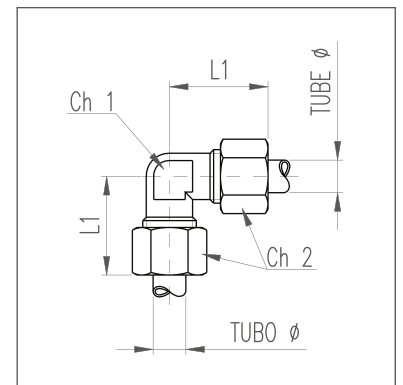


GIG

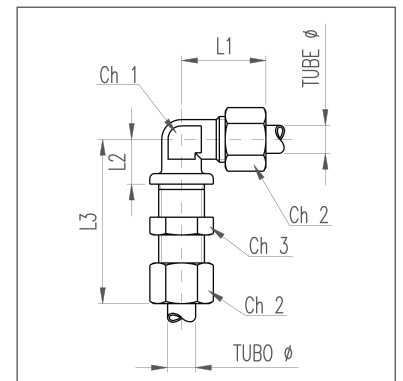
- GIUNTO A GOMITO INTERMEDIO
- UNION ELBOW
- WINKELVERSCHRAUBUNG 90°
- JOINT COUDE



PART NUMBER	TUBE Ø	Ch1	Ch2	L1
GIG 06LACA	6	12	14	27
GIG 08LACA	8	12	17	29
GIG 10LACA	10	14	19	30
GIG 12LACA	12	17	22	32
GIG 15LACA	15	19	27	36
GIG 16LACA	16	19	27	36
GIG 18LACA	18	24	32	40
GIG 20LACA	20	24	32	42

IGP

- GIUNTO A GOMITO PASSAPARTATA
- BULKHEAD UNION ELBOW
- WINKEL-SCHOTTVERSCHRAUBUNG 90°
- JOINT COUDE PASSE-CLOISON



PART NUMBER	TUBE Ø	Ch1	Ch2	Ch3	L1	L2	L3
IGP 06LACA	6	12	14	17	27	14	56
IGP 08LACA	8	12	17	19	29	17	59
IGP 10LACA	10	14	19	22	30	18	61
IGP 12LACA	12	17	22	24	32	20	64
IGP 15LACA	15	19	27	28	36	23	69
IGP 16LACA	16	19	27	28	36	23	69
IGP 18LACA	18	24	32	32	44	24	77